



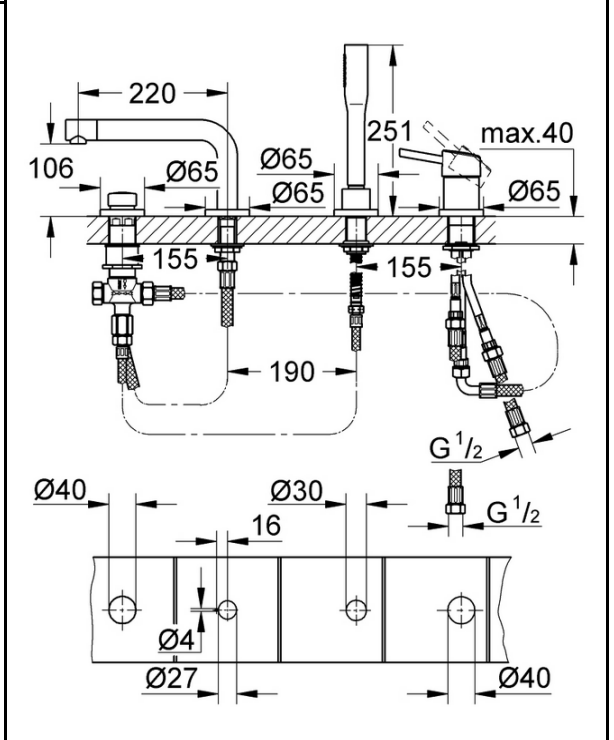
PROJECT		REF		REV	ITEM CODE	
LOCATION		DATE			PAGE	

SANITARY WARE SPECIFICATION SHEET

Item Descriptions	GROHE (Germany) "Concetto" 4-hole single-lever bath/shower combination
Dimensions	L220 x W500 x H251 mm
Model	19576002
Finish	Chrome Plated
Country of origin	Thailand
Manufacturer	GROHE AG
Supplier	Acme Sanitary Ware Co. Ltd Mr. Eric Wong/ Mr. Wilson Hung
Contact Tel/Fax	(852) 2388-7171 / (852) 2710-8012
E-mail	acme@acmesanitary.com.hk
Website	www.acmesanitary.com.hk



- "Concetto"**
4-hole single-lever bath combination
- GROHE SilkMove 46 mm ceramic cartridge
 - GROHE StarLight chrome finish
 - pre-assembled spout fixing
 - single lever mixer operating element
 - diverter bath/shower
 - Euphoria Cosmopolitan hand shower
- 6.6 l/min
- metal shower hose 2000 mm
 - flexible connection hoses
 - connection for shower hose
 - protected against backflow
 - can be used with 29 037 000



Note:

* All information of the above is for the reference only. No prior notice is made if any changes.



PROJECT		REF		REV	ITEM CODE	
LOCATION		DATE			PAGE	

SANITARY WARE SPECIFICATION SHEET

GROHE StarLight[®] Chrome

GROHE PVD
10x more scratch resistance
3x more surface hardness

Chrome
Nickel
Brass

GROHE surface hardness $\times 3$
GROHE scratch resistance $\times 10$

GROHE SilkMove cartridge technology for smooth handling

This premium tap comes with a continuously variable water temperature and volume adjustment technology, ensuring effortless lever operation even after years of use.

Easy to clean thanks to the GROHE StarLight chrome coating

Just wipe the tap down with a dry cloth – the ultra smooth surface finish is scratch resistant and ensures a lasting luminous sheen. You'll save plenty of time cleaning while your tap always looks shiny and new.

*

Pos.-nr.	Prod. description	Order-nr.
1	Lever	46723000
2	Cap	46727000
3	Cartridge	46048000
4	Tube	07227000
5	Dirt strainer	0700200M
6	Cone nut	08864000
7	Compression spring	00869000
8	Diverter knob	46721000
9	Diverter	45443000
9.1	Sealing washer $\varnothing 6 \times \varnothing 2$	0128300M
9.2	Sealing washer	0120500M
10	Replacement kit for shank fastening	45444000
11	Non-return valve	08565000
12	Tube	07300000
13	Flow straightener	46724000
14	Tube	48018000
15	Tube	48017000
16	Metal shower hose	28146000
17	Temperature limiter	46375000*
18	Socket spanner	19332000*

* Optional accessories

Note:

* All information of the above is for the reference only. No prior notice is made if any changes.



水務署
Water Supplies Department

總部 Headquarters

士打道七號入境事務大樓 48 樓

7 Gloucester Road, Wan Chai, Hong Kong



本署檔號
Our ref.
來函檔號
Your ref.

321/2024 T/J(50/2024)

電話
Tel.
傳真
Fax.

:
:
: 2824 0578

7 June 2024



Approval of "GROHE" Bath Mixer (General Acceptance No. C20240351)

Your E-Application [file-id: ETJ-GA-20240102-195] dated 11 January 2024 and subsequent submissions received by this department up to 17 May 2024 refer.

Having considered the test reports ref. 222320PC220454C, 202535EN230673 and 202535EN230212B issued on 16 May 2024, 1 August 2023 and 15 December 2023 respectively by Fugro Technical Services Ltd., this Authority accepts that the fitting described below complies with, and its use when correctly installed does not contravene, the Waterworks Ordinance and Regulations.


Name of Manufacturer: Grohe AG

Country of Origin: Germany

Brand: Grohe

Details of Fitting: 1/2" 4-holes bath mixer with 2 nos. of flexible hoses

Model: 19576XX2
(where "XX" denotes the code of colour)

Body Markings: 



香港供水署



careingorganisation
Member of the Hong Kong Council of Social Service

Expiry Date: 8 March 2028

This Authority hereby permits the use of the above fitting in fresh water plumbing systems subject to full adherence to Waterworks installation requirements. In particular, you are required to draw your customers' attention to the following requirement-

"The cold water supply to the fitting shall be drawn from the same source that supplies the hot water apparatus so as to provide a balanced pressure and to obviate the risk of scalding in the event of a restriction or failure in the water supply." AND

"The shower head or handspray should not be placed in submerged conditions and should be securely fixed to the original position after use."

A condition of this acceptance is that the fitting to be installed shall be replicas of the sample as certified by the testing agent mentioned above and without modifications. This acceptance may be withdrawn at any time if the standard of the fitting installed fails to meet that of the approved sample or if the fitting is found to be unsuitable for use in fresh water plumbing systems.

This acceptance is only applicable to the main body of the fitting, unless otherwise specified.

For the use of the fitting in any project, the General Acceptance Number of this letter must be quoted as a means of identification of acceptance of the fitting by this Authority.

Should you have any enquiries, please contact our Engineer Mr Albert CHOW at tel. no. 3583 4086.

Yours faithfully,



(Terry KUNG)

for Director of Water Supplies

Encl.

c.c. WSD 3321/1/82] - without catalogue
ME/MC] - with soft copy only